

KARIBAN

REFERENCE : K650

SIZES : S_M_L_XL_XXL_3XL_4XL

COMPOSITION :

Fabric 1 : 3 layers Softshell (Plain weave/Micropolar fleece)
Polyester / Elastane 95/5 - 300 .

Lining : Polyester 210T - 60 For quilted body and hood lining,
hood tunnel and sleeve lining 100%polyester

Lining 2 : Polyester polytricot - 120 For pocket sacks and inner
front placket. 100%polyester

Padding : Polyfil 120 For quilted body lining 100%polyester

Padding : Polyfil 100 For quilted sleeve lining 100%polyester

WEIGHT :

Fabric 1 : 300 gsm

Lining : 60 gsm

Lining 2 : 120 gsm

Padding : 120 gsm

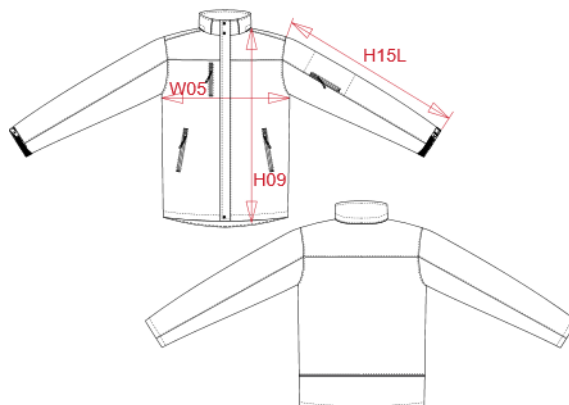
Padding : 100 gsm

TECHNICAL DETAIL :

BR: 3000gsm/24h / WP: 8000mm

ARTICLE WEIGHT :

1200 gr/pc



DESCRIPTION
Français : Parka softshell doublée capuche homme
English : Men's hooded softshell lined parka
Nederlands : Gewatteerde softshell herenparka met capuchon
Deutsch : Herrenparka Softshell wattiert mit Kapuze
Español : Parka Softshell forrada con capucha para hombre
Italiano : Parka uomo softshell imbottito con cappuccio
Português : Parka Softshell acolchoada de homem com capuz

COLORS	PANTONE SERIGRAFIE
Black	Black
Navy	433C
Titanium	7540C

MEASUREMENT							
Description	S	M	L	XL	XXL	3XL	4XL
H09 (M) Hauteur totale devant / Front total height	72	74	76	78	80	82	84
W05 (M) 1/2 largeur poitrine à 1.5cm de l'emmanchure / 1/2 chest width at 1.5cm below armhole	55	58	61	64	67	70	73
H15L (M) Longueur manche longue / Long sleeve length	66	67,50	69	70,50	72	73,50	75

CARE LABEL

PACKING	
Box	10 pcs/box S =>L:60cm W:40cm H:40cm NW:10.6kg GW:12.8kg M =>L:60cm W:40cm H:40cm NW:11.3kg GW:13.5kg L =>L:60cm W:40cm H:40cm NW:12kg GW:14.2kg XL =>L:60cm W:40cm H:40cm NW:12.8kg GW:15kg XXL =>L:60cm W:40cm H:40cm NW:13.5kgGW:15.6kg 3XL =>L:60cm W:40cm H:40cm NW:14.1kg GW:16.2kg 4XL =>L:60cm W:40cm H:40cm NW:14.7kg GW:16.8kg