

**REFERENCE :** KI0302

**SIZES :** U

**COMPOSITION :**

Main fabric : Cotton canvas 340 100%cotton

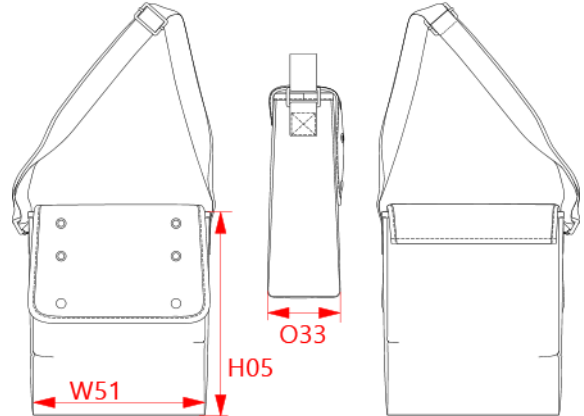
Fabric 1 : Poliester 190T PU backing For inside pocket. 100% polyester

**TECHNICAL DETAIL :**

Washed canvas for vintage look

**ARTICLE WEIGHT :**

230 gr/pc



DESCRIPTION		COLORS	PANTONE SERIGRAPHIE
<b>Français :</b> Sacoche en canvas <b>English :</b> Shoulder bag in canvas <b>Nederlands :</b> Shoulder bag in canvas <b>Deutsch :</b> Mini-Reportertasche <b>Español :</b> Bolsa bandolera <b>Italiano :</b> Tracolla report <b>Português :</b> Mala a tiracolo		Vintage khaki	2327C
		Black	Black

MEASUREMENT							
Description	U						
<b>H05</b> Hauteur totale / Total height	32						
<b>W51</b> Total width	26						
<b>O33</b> Deep of bottom part	11						

PACKING	
Box	50 pcs / box U => L:37cm W:36cm H:62cm GW:12,6kg NW:11,6kg