

REFERENCE : KI3002

SIZES : U

COMPOSITION :

Main fabric : Polyester 600D PVC backing 100%polyester

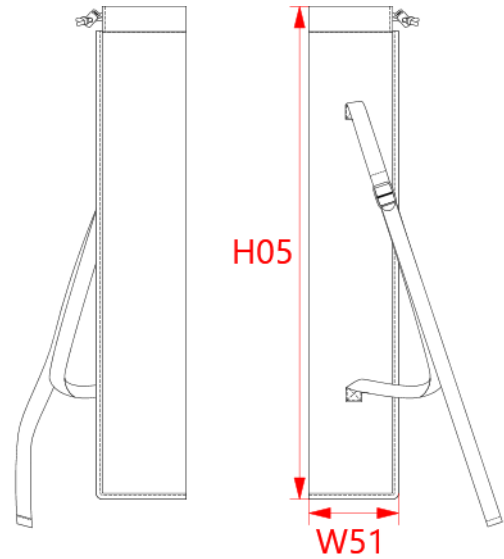
Fabric 1 : Polyester 210D PU backing On top part. 100% polyester

TECHNICAL DETAIL :

PVC backing

ARTICLE WEIGHT :

80 gr/pc



DESCRIPTION	
Français :	Housse de transport bâtons trekking
English :	Trekking pole holder
Nederlands :	Trekking pole holder
Deutsch :	Trekking Stock Halter
Español :	Bolsa para bastones trekking
Italiano :	Borsa portabastoni
Português :	Saco para bastões

COLORS	PANTONE SERIGRAPHIE
Black	Black

MEASUREMENT	
Description	U
H05 Hauteur totale / Total height	76
W51 Total width	14

PACKING	
Box	200 pcs / box U => L:58cm W:42cm H:35cm GW:16kg NW:15kg