

PROACT.®

REFERENCE : PA647

SIZES : U

COMPOSITION :

Main material : PE quality For 5 of the 20 domes. 100% polyethylene

Main material : PE quality For 5 of the 20 domes. 100% polyethylene

Main material : PE quality For 5 of the 20 domes. 100% polyethylene

Material 4 : PE quality For 5 of the 20 domes. 100% polyethylene

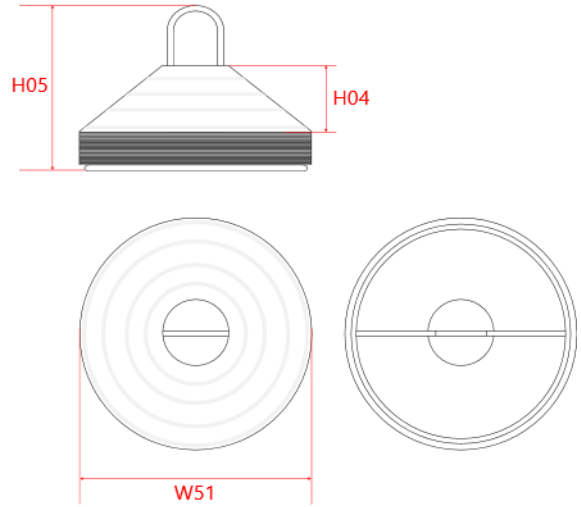
Material 2 : Metal quality For the base where put the domes. 100%metal

TECHNICAL DETAIL :

Elimination kit 20

ARTICLE WEIGHT :

675 gr/pc



DESCRIPTION	
Français :	Kit de délimitation x 20
English :	Elimination Kit 20
Nederlands :	Elimination kit 20
Deutsch :	Markierungsset x 20
Español :	Kit de 20 discos de entreno
Italiano :	Kit di cinesini x 20
Português :	Kit de delimitação x 20

COLORS	PANTONE SERIGRAPHIE
Red / Yellow / R.blue / White	185C / YellowC / 287C / White

MEASUREMENT	
Description	U
H05 Hauteur totale / Total height	13,30
W51 Total width	18,70
H04 Height of each single dome	4,90

PACKING	
Box	10 pcs / box Size => L:38cm W:38cm H:65cm GW:9Kg NW:7Kg