



REFERENCE : KP068

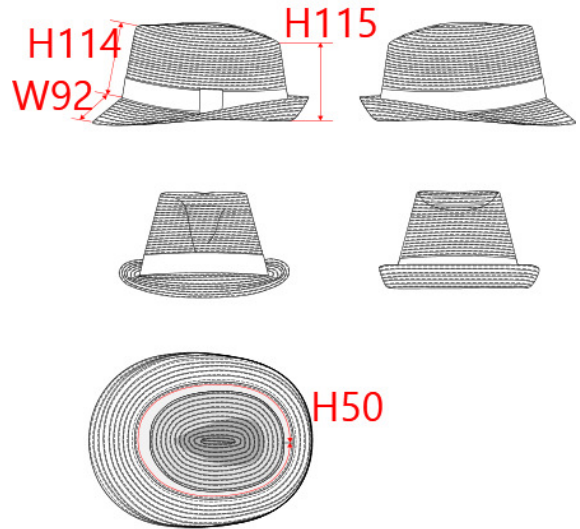
SIZES : 57cm_59cm

COMPOSITION :

Main fabric : 89% paper fiber 11%polyester 89% paper fiber / 11%polyester

ARTICLE WEIGHT :

120gr/pc



DESCRIPTION
Français : Chapeau panama
English : Panama hat
Nederlands : Panama hoed
Deutsch : Panama hut
Español : Sombrero Panama
Italiano : Cappello Panama
Português : Chapéu de palha

COLORS	PANTONE SERIGRAPHIE
Natural	7534C

MEASUREMENT								
Description	57cm	59cm						
H115 Height of the crown on back part	10,50	10,50						
H114 Height of the crown on front part	10,50	10,50						
W92 Width of the brim	4,50	4,50						
H50 Tour de tête / Head measurement	57	59						

CARE LABEL

PACKING	
Box	50 pcs / box 57-59cm => L:48cm W:28cm H:54cm GW:8.50kg NW:6.50kg